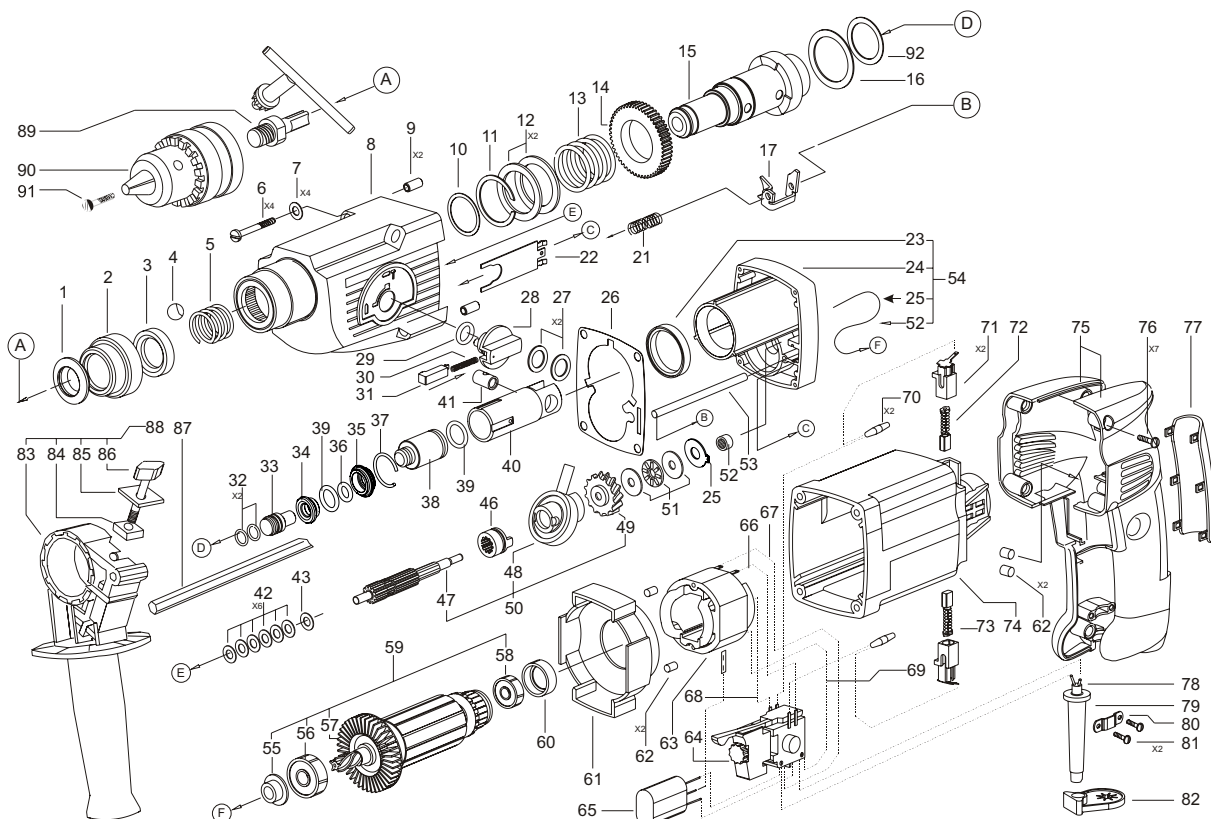


POS. No.	Ref.No.	Description	POS. No.	Ref.No.	Description
1	126964	Circlip	50	154582	Gear shaft complement
2	170063	Releasing bush	51	154587	Bearing 8x16
3	130767	Ring	52	330119	Bearing HK0609
4	330097	Pellet 6,747-100	53	126997	Axle
5	130769	Spring	54	154571	Bearing shield set
6	360449	Screw M4X40/20 8.8	55	150144	Bush
7	360010	Spring washer 4H	56	330291	Bearing 60002ZP63LDS18
8	154836	Gear box set	57	121852	Fan
9	127034	Bush	58	330287	Bearing 627-2ZP6LDS18
10	126982	Spacer washer	59	150142	Armature set
11	330745	Circlip B30-4B	60	164934	Rubber bush
12	127035	Spacer washer	61	129789	Diffuser
13	130731	Spring	62	272960	Claming pin
14	126971	Spindle gear	63	150355	Stator set
15	154448	Spindle	64	173359	Switch Defond DGQ 1112-HA
16	126983	Spacer washer	65	152856	Capacitor
17	151374	Switching plate	66	128989	Outlet
21	154071	Springs	67	116528	Outlet
22	151377	Spring	68	127558	Outlet
23	150138	Bearing	69	116546	Outlet
24	154497	Bearing shield	70	116229	Choke
25	154499	Special Washer	71	126917	Brush holder set
26	126996	Gasket	72	125052	Brush with a switch
27	115431	Spacer washer	73	125051	Brush
28	170071	Switch knob	74	127012	Body
29	330337	O-ring 13x1.5	75	151204	Casing handle set
30	127005	Spring	76	361425	Screw K4X16 TORX 20
31	170072	Fixing bit	77	128006	Insert
32	330676	O-ring 10x1.5 - FPM70	78	127979	Cord with a plug
33	130735	Medial mandrel	79	125053	Cord protector
34	154451	Bush	80	256500	Cord clamp
35	154452	Bush	81	361360	Screw K 4X9.5 TORX 20
36	331283	O-ring 9x3 - FPM70	82	160963	Key holder
37	330888	Spring ring	83	121133	Handle
38	130739	Piston	84	114032	Nut M6
39	330236	O-RING 14X3C	85	271221	Plate
40	127036	Cylinder	86	121306	Butterfly screw set
41	128408	Axle	87	121134	Depth gauge
42	115221	Spring 12x6,2x0,5	88	121152	Handle set
43	126987	Spacer washer	89	127040	Adapter for chuck
46	151372	Bush	90	118984	Chuck B13L
47	154069	Gear shaft	91	360582	Screw M6LHX30-8.8
48	126994	Rolling thrust bearing	92	150137	Spacer washer
49	154585	Large intermediate gear			



173192

173319